

# POWERFAB

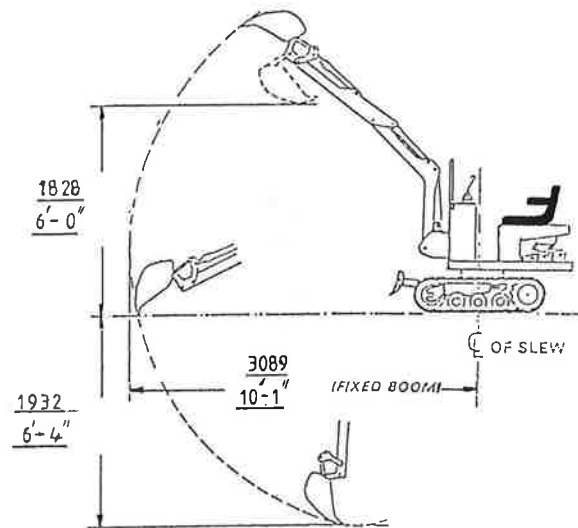
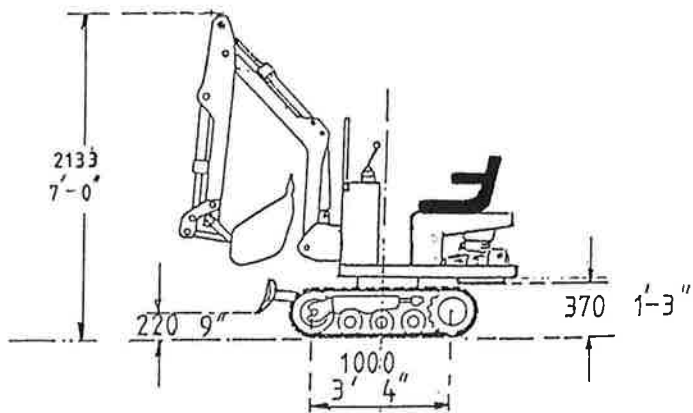
## 1250



## CRAWLER EXCAVATOR

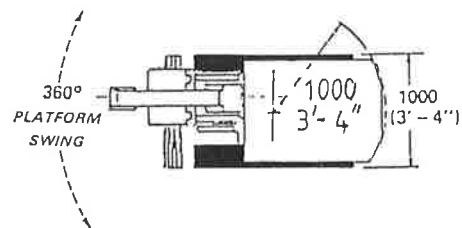
- FULL 360° PLATFORM ROTATION
- EASY OPERATOR ACCESS FROM BOTH SIDES
- AIR COOLED PETROL ENGINE / DIESEL ENGINE OPTIONS
- ALL ROUND EASY ACCESS FOR SERVICING AND MAINTENANCE
- 1.0 M. TAIL SWING
- SIMPLE CONTROLS

Best model 1250/1250



## SPECIFICATIONS

ITEM	DESCRIPTION	TECHNICAL DATA
ENGINE	Honda (Standard)	11HP Air Cooled Petrol
	Kubota (Optional)	9HP Air Cooled Diesel
	Honda (Optional)	9HP Air Cooled Diesel
PERFORMANCE	Gradeability	58% (30°)
	Platform Swing Angle	360°
	Travelling Speed	1.76 Km/Hr (1.1mph)
	Ground Contact Pressure	0.23 Kg cm <sup>2</sup>
	Digging Force	1.2 Ton
BUCKET	Standard Bucket	Capacity Width 0.045M <sup>3</sup> 400mm
	Deep Bucket	Capacity Width 0.052M <sup>3</sup> 400mm
HYDRAULIC H.P.T.O.	Pump Flow	21LPM
	H.P.T.O. Operating Pressure	138 bar
	Main Line Relief Pressure	165 bar
UNDERCARRIAGE	Track	Reinforced Rubber
	Width	200mm
	Number of Rollers	2 per Track
DOZER BLADE	Standard Width & Height	1000 × 230
	Width	1000
	Lift and Drop	Lift 220. Drop 330
SHIPPING DIMENSIONS	Length × Width × Height	2.2m × 1m × 2.1m
MASS	Operating Weight	0.92 Tonne



## BUCKETS

A RANGE OF EXCAVATOR BUCKETS ARE AVAILABLE IN WIDTHS RANGING FROM 200mm TO 600mm.

SPECIAL PURPOSE ATTACHMENTS, INCLUDING GRABS, FACE SHOVELS, GRAVE DIG BUCKETS AND MATERIAL HANDLING BUCKETS, ARE ALSO AVAILABLE

## ANCILLARY EQUIPMENT

THE OPTIONAL H.P.T.O. CONNECTIONS ENABLE YOU TO POWER A RANGE OF HYDRAULICALLY OPERATED IMPLEMENTS INCLUDING HAND AND MACHINE HELD BREAKERS, CIRCULAR AND CHAIN SAWS, DRILLS, POLE HOLE BORERS, BRUSHES, WATER PUMPS, PRUNERS, ETC.

Due to our policy of continual improvement, we reserve the right to amend design or specifications without prior notice.

For further information contact our Sales Department at the address given below.

Your Powerfab Distributor

LEXPRINT OF RISCA

# POWERFAB

## SALES & SPARES LIMITED

FAIR VIEW, ASHVALE,  
TREDEGAR, GWENT NP2 3HA  
UNITED KINGDOM.  
TELEPHONE: 049525 - 6627.  
TELEX: 498973 POWFAB G.  
FAX: 0495 - 718162